

# Spiro

## Downlight



Spiro, a circular shaped LED downlight is made of aluminum die cast with high quality powder coated luminaire housing and optimum heat sink that ensure high-durability. The specular darklight reflector in this store light allows outstanding visual comfort to the visitors so that they are able to explore the merchandise with ease.

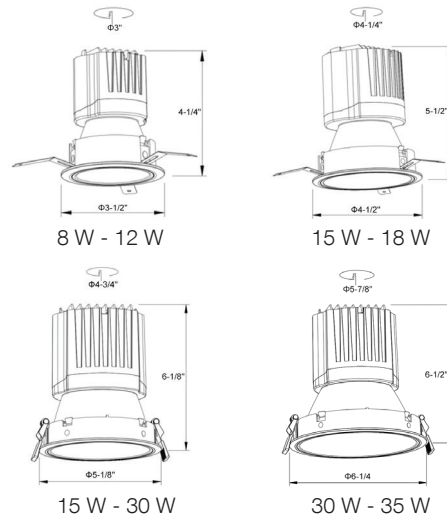
- Model/Colors** | Available in White and Black.
- Application Areas** | Guest Room, Corridor, Restaurant, Meeting Room, Club, Hall, Hotel Entrance

### TECHNICAL PARAMETERS

<b>Voltage</b>	100 - 277 V AC, 50-60 Hz
<b>Light Source</b>	Osram SOLERIQ S 19
<b>Operating Position</b>	Non-Swiveling Type
<b>Start Time</b>	Instant
<b>Driver</b>	Stand Alone (included)
<b>Optics</b>	Darklight Technology Black, Silver
<b>Dimming</b>	On-Off / Triac / 0-10 V

Spot		Medium		Flood	
	15°		24°		38°
ft	ø	ft	ø	ft	ø
3.0	0.72	3.0	1.41	3.0	2.03
9.0	2.15	9.0	4.22	9.0	6.09
15.0	3.58	15.0	7.04	15.0	10.15

60°



CRI	Power (W)	CCT (K)	Total Lumen Output (lm)	Beam Spread (Options)	Finish
>90	8 W / 12 W / 15 W / 20 W / 25 W / 30 W / 35 W	3000 K	1010 / 1520 / 1900 / 2530 / 3160 / 3800 / 4430	15° / 24° / 38°	Black / White
>90	8 W / 12 W / 15 W / 20 W / 25 W / 30 W / 35 W	4000 K	1060 / 1600 / 2000 / 2660 / 3325 / 4000 / 4660	15° / 24° / 38°	Black / White
>90	8 W / 12 W / 15 W / 20 W / 25 W / 30 W / 35 W	5000 K	1120 / 1680 / 2100 / 2800 / 3500 / 4200 / 4900	15° / 24° / 38°	Black / White

### Note

- Product available in other Kelvin temperatures on request.