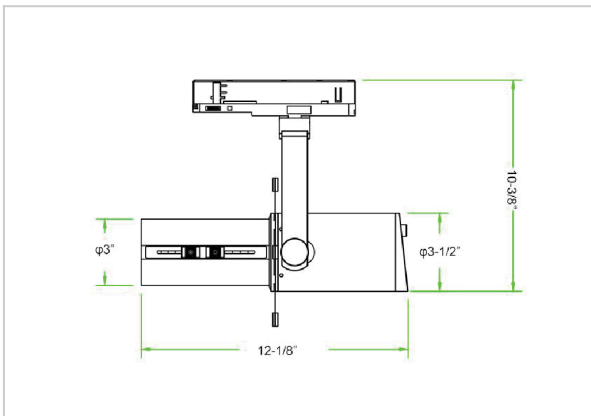


Rimin Track Lights

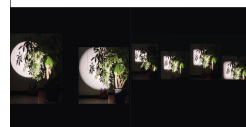
ITEM SKU#: 662187490885



Product Code : IK-RRIMINTL-20W-40K-BL-90C-ADB

| | |
|--------------------|------------------------------|
| Voltage | 100 - 277 V AC, 50-60 Hz |
| Lumen Output | 1620.67lm |
| Power | 20W |
| Efficacy | 140lm/w |
| CCT | 4000K |
| CRI | >90 |
| Beam Angle | 60° |
| Light Distribution | Flood |
| LED Light Source | Osram SOLERIQ S 19 |
| Start Time | Instant |
| Driver | Stand Alone (included) |
| Operating Position | Swiveling Type |
| Dimming | Triac Dimming, Local Dimming |
| Construction | Track |
| Mounting Type | Track Light Structure |
| Heads | Single Head |
| Finish | Black |
| Height | 10-3/8" |
| Diameter | 3" |
| Width (W) | 12-1/8" |
| Application Area | Indoor Applications |

Shapes (Narrow, Wide, Round, Square, and Other Shapes)



Rimin Projector Light is a versatile lighting solution designed for adaptability, aesthetics, and dynamic projection capabilities. It is 15° to 60° adjustable, which empowers you with tailored, precise illumination. In addition, the projection can be done in various shapes, such as round and square, allowing you to effortlessly create captivating visual displays.



Technical Data

[Installation Instructions Link](#) ↓