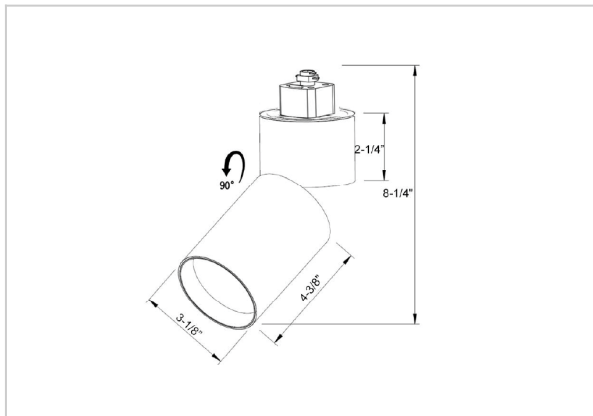


Prime Track Lights

ITEM SKU#: 662187490809



Product Code : IK-RPRIMETL-20W-40K-WH-90C-24D

Voltage	100 - 277 V AC, 50-60 Hz
Lumen Output	2009.19lm
Power	20W
Efficacy	140lm/w
CCT	4000K
CRI	>90
Beam Angle	24°
Light Distribution	Medium
LED Type	COB
LED Light Source	Osram SOLERIQ S 19
Start Time	Instant
Driver	Stand Alone (included)
Operating Position	Swiveling Type
Dimming	Triac Dimming
Construction	Track
Mounting Type	Track Light Structure
Heads	Single Head
Body Material	Aluminium Die cast
Finish	White
Length	4-3/8"
Height	8-1/4"
Diameter	3-1/8"
Application Area	Indoor Applications



Beam Spread (Options)

Spot 11°		Medium 24°		Flood 36°	
ft	Ø	ft	Ø	ft	Ø
3.0	0.72	3.0	1.41	3.0	2.03
9.0	2.15	9.0	4.22	9.0	6.09
15.0	3.58	15.0	7.04	15.0	10.15

Prime is a technologically advanced LED track light with incorporated electronic gear and chip on board. It also has a high-quality reflector with three different beam spreads. Moreover, the lamp housing of die-cast aluminum for optimal cooling allows the fixture to last longer than its traditional counterparts.

Technical Data

[IES File Link](#) ↓

[Installation Instructions Link](#) ↓