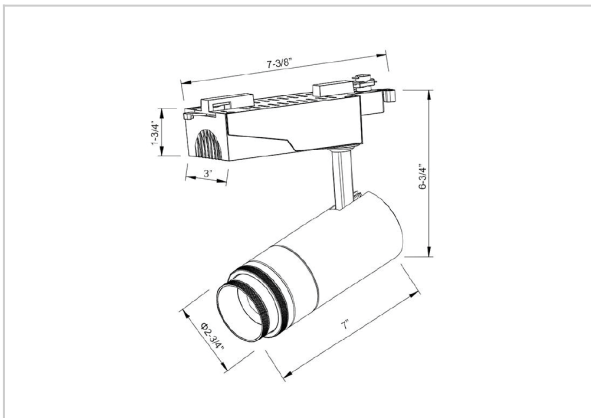


Ork Track Lights

ITEM SKU#: 662187490533



Product Code : IK-RORKTL-20W-35K-WH-90C-ADB

| | |
|--------------------|--------------------------|
| Voltage | 100 - 277 V AC, 50-60 Hz |
| Lumen Output | 2800lm |
| Power | 20W |
| Efficacy | 140lm/w |
| CCT | 3500K |
| CRI | >90 |
| Beam Angle | 15° |
| Light Distribution | Wide flood |
| LED Type | COB |
| LED Light Source | Osram SOLERIQ S 19 |
| Start Time | Instant |
| Driver | Stand Alone (included) |
| Operating Position | Swiveling Type |
| Dimming | Triac Dimming |
| Construction | Track |
| Mounting Type | Track Light Structure |
| Heads | Single Head |
| Body Material | Aluminium Die cast |
| Finish | White |
| Length | 6-1/4" |
| Height | 7-1/4" |
| Diameter | 2-1/2" |
| Cut Out | 7-3/8" |
| Width (W) | 7-3/8" |
| Application Area | Indoor Applications |



Beam Spread (Options)

| Spot | 15° | Medium | 24° | Flood | 36° | Wide Flood | 60° |
|------|------|--------|------|-------|-------|------------|-------|
| ft | Ø | ft | Ø | ft | Ø | ft | Ø |
| 3.0 | 0.72 | 3.0 | 1.41 | 3.0 | 2.03 | 3.0 | 3.15 |
| 9.0 | 2.15 | 9.0 | 4.22 | 9.0 | 6.09 | 9.0 | 9.45 |
| 15.0 | 3.58 | 15.0 | 7.04 | 15.0 | 10.15 | 15.0 | 15.75 |

Ork is a technologically advanced LED track light with incorporated electronic gear and chip on board. It also has a high-quality reflector with three different beam spreads. Moreover, the lamp housing of die-cast aluminum for optimal cooling allows the fixture to last longer than its traditional counterparts.

Technical Data

IES File Link [↓](#)