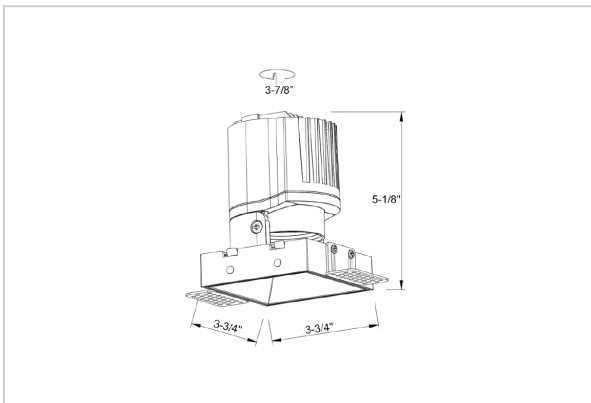
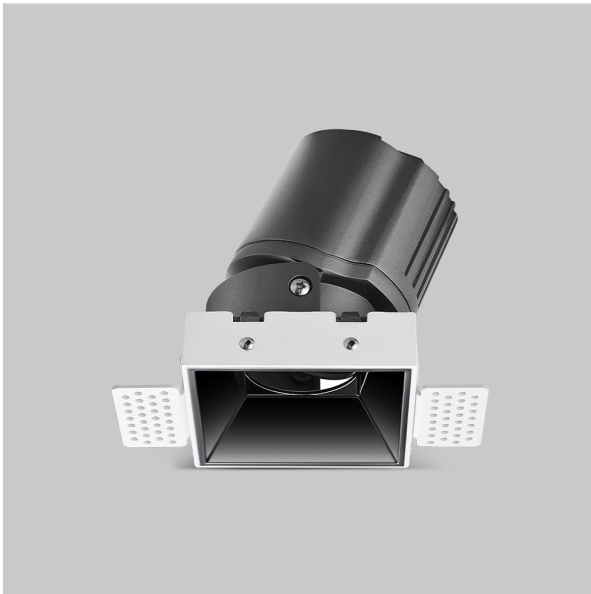


Thiea Down Lights

ITEM SKU#: 662187500652



Product Code : IK-RTHEIADL-15W-27K-WH-90C-15D

Voltage	100 - 277 V AC, 50-60 Hz
Lumen Output	1250lm
Power	15W
Efficacy	140lm/w
CCT	2700K
CRI	>90
Beam Angle	15°
Light Distribution	Spot
LED Type	COB
LED Light Source	Osram SOLERIQ S 19
Start Time	Instant
Driver	Stand Alone (included)
Operating Position	Non - Swiveling Type
Dimming	On-Off / Triac / 0-10 V
Construction	Sqaure
Mounting Type	Recessed
Heads	Single Head
Body Material	Aluminium Die cast
Finish	White
Length	3-3/4"
Height	5-1/8"
Cut Out	3-7/8"
Optics	Darklight Technology Black, Silver
Width (W)	3-3/4"
Application Area	Guest Room, Corridor, Restaurant, Meeting Room Club, Hall, Hotel Entrance



Beam Spread (Options)

Spot 15°		Medium 24°		Flood 38°		Wide Flood 60°	
ft	Ø	ft	Ø	ft	Ø	ft	Ø
3.0	0.72	3.0	1.41	3.0	2.03	3.0	3.15
9.0	2.15	9.0	4.22	9.0	6.09	9.0	9.45
15.0	3.58	15.0	7.04	15.0	10.15	15.0	15.75

Theia, a square LED downlight made of aluminum die cast with high quality powder coated luminaire housing and optimum heat sink. Specular reflector & power grid / global connectors available with isolated LED Driver using Ultra bright OSRAM COB.

Technical Data

[IES File Link](#) ↓