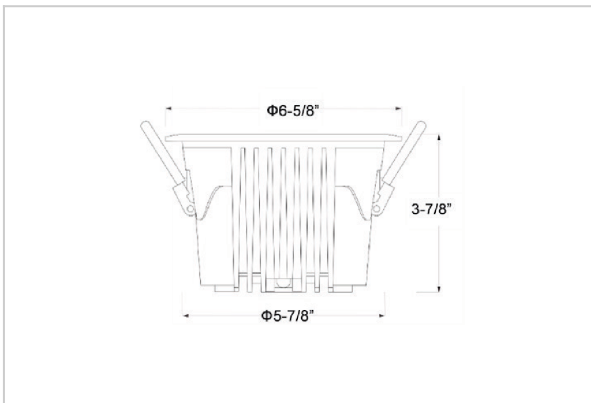


# Ocul Down Lights

ITEM SKU#: 662187497501



## Product Code : IK-ROCULDL-40W-27K-WH-90C-60D

Voltage	100 - 277 V AC, 50-60 Hz
Lumen Output	4800lm
Power	40W
Efficacy	140lm/w
CCT	2700K
CRI	>90
Beam Angle	60°
Light Distribution	Wide flood
LED Type	COB
LED Light Source	Osram SOLERIQ S 19
Start Time	Instant
Driver	Stand Alone (included)
Operating Position	Non - Swiveling Type
Dimming	On-Off / Triac / 0-10 V
Construction	Round
Mounting Type	Recessed
Heads	Single Head
Body Material	Aluminium Die cast
Finish	White
Height	3-7/8"
Diameter	6-5/8"
Cut Out	5-7/8"
Optics	Darklight Technology Black, Silver
Application Area	Classroom, Meeting Room, Office, Club, Home



### Beam Spread (Options)

Spot 15°		Medium 24°		Flood 36°		Wide Flood 60°	
ft	Ø	ft	Ø	ft	Ø	ft	Ø
3.0	0.72	3.0	1.41	3.0	2.03	3.0	3.15
9.0	2.15	9.0	4.22	9.0	6.09	9.0	9.45
15.0	3.58	15.0	7.04	15.0	10.15	15.0	15.75

Ocul, a round shaped LED downlight made of aluminum die cast with high quality powder coated luminaire housing and optimum heat sink. Specular reflector & power grid /global connectors available with isolated LED Driver using Ultra bright OSRAM COB.