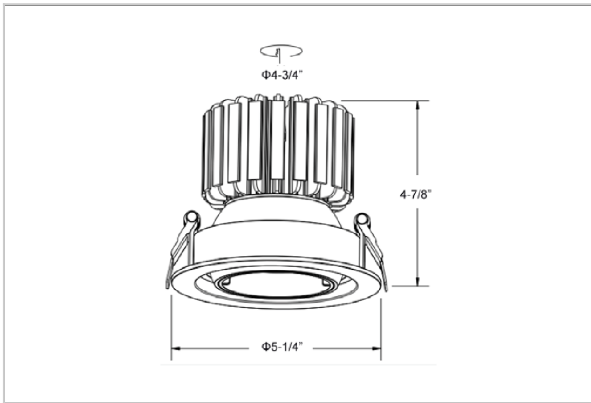


# Nova Down Lights

ITEM SKU#: 662187496696



### Product Code : IK-RNOVADL-30W-50K-WH-90C-36D

|                    |   |
|--------------------|---|
| Voltage            | 100 - 277 V AC, 50-60 Hz  |
| Lumen Output       | 2700lm  |
| Power              | 30W   |
| Efficacy           | 90lm/w  |
| CCT                | 5000K   |
| CRI                | >90   |
| Beam Angle         | 36°   |
| Light Distribution | Flood   |
| LED Light Source   | Osram SOLERIQ S 19  |
| Start Time         | Instant   |
| Driver             | Stand Alone (included)  |
| Operating Position | Swiveling Type, 360D  |
| Dimming            | On-Off / Triac / 0-10 V   |
| Construction       | Round   |
| Mounting Type      | Recessed  |
| Heads              | Single Head   |
| Body Material      | Aluminium Die cast  |
| Finish             | White   |
| Height             | 4-7/8"  |
| Diameter           | 5-1/4"  |
| Cut Out            | 4-3/4"  |
| Optics             | Darklight Technology Black, Silver  |
| Application Area   | Guest Room, Corridor, Restaurant, Meeting Room Club, Hall, Hotel Entrance |



#### Beam Spread (Options)

| Spot 15° |      | Medium 24° |      | Flood 36° |       |
|----------|------|------------|------|-----------|-------|
| ft       | Ø    | ft         | Ø    | ft        | Ø     |
| 3.0      | 0.72 | 3.0        | 1.41 | 3.0       | 2.03  |
| 9.0      | 2.15 | 9.0        | 4.22 | 9.0       | 6.09  |
| 15.0     | 3.58 | 15.0       | 7.04 | 15.0      | 10.15 |

Nova, a round shaped LED downlight made of aluminum die cast with high quality powder coated luminaire housing and optimum heat sink. The specular darklight reflector in this store light allows outstanding visual comfort to the visitors so that they are able to explore the merchandise at ease.