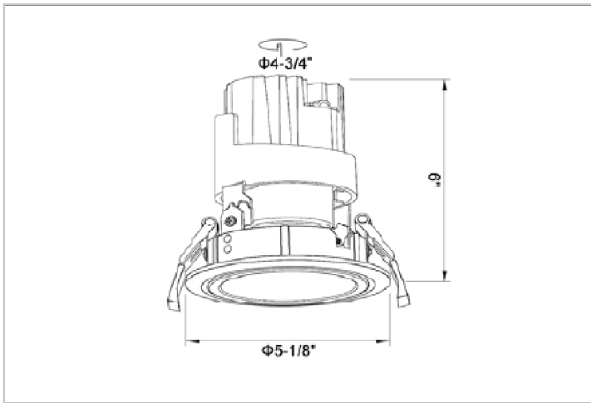


# Glint Down Lights

ITEM SKU#: 662187495385



## Product Code : IK-RGLINTDL-40W-27K-WH-90C-15D

|                    |   |
|--------------------|---|
| Voltage            | 100 - 277 V AC, 50-60 Hz  |
| Lumen Output       | 3200lm  |
| Power              | 40W   |
| Efficacy           | 80lm/w  |
| CCT                | 2700K   |
| CRI                | >90   |
| Beam Angle         | 15°   |
| Light Distribution | Spot  |
| LED Type           | COB   |
| LED Light Source   | Osram SOLERIQ S 19  |
| Start Time         | Instant   |
| Driver             | Stand Alone (included)  |
| Operating Position | Swiveling Type  |
| Dimming            | On-Off / Triac / 0-10 V   |
| Construction       | Round   |
| Mounting Type      | Recessed  |
| Heads              | Single Head   |
| Body Material      | Aluminium Die cast  |
| Finish             | White   |
| Height             | 6"  |
| Diameter           | 5-1/8"  |
| Cut Out            | 4-3/4"  |
| Optics             | Darklight Technology Black, Silver  |
| Application Area   | Guest Room, Corridor, Restaurant, Meeting Room Club, Hall, Hotel Entrance |



### Beam Spread (Options)

| Spot 15° |      | Medium 24° |      | Flood 38° |       |
|----------|------|------------|------|-----------|-------|
| ft       | Ø    | ft         | Ø    | ft        | Ø     |
| 3.0      | 0.72 | 3.0        | 1.41 | 3.0       | 2.03  |
| 9.0      | 2.15 | 9.0        | 4.22 | 9.0       | 6.09  |
| 15.0     | 3.58 | 15.0       | 7.04 | 15.0      | 10.15 |

Glint, a circular shaped LED downlight made of aluminum die cast with high quality powder coated luminaire housing and optimum heat sink. Specular reflector & power grid / global connectors available with isolated LED Driver using Ultra bright OSRAM COB.