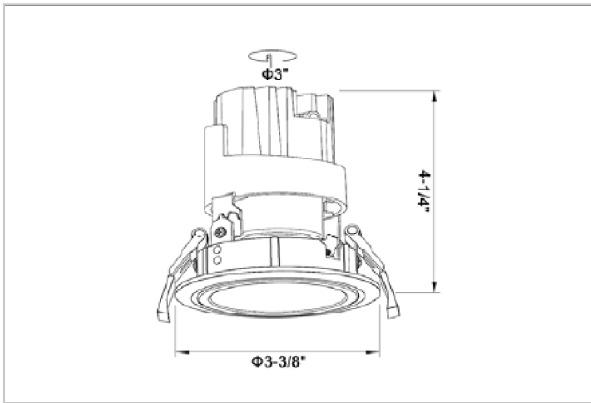


Glint Down Lights

ITEM SKU#: 662187494982



Product Code : IK-RGLINTDL-15W-30K-WH-90C-15D

| | |
|--------------------|---|
| Voltage | 100 - 277 V AC, 50-60 Hz |
| Lumen Output | 1275lm |
| Power | 15W |
| Efficacy | 85lm/w |
| CCT | 3000K |
| CRI | >90 |
| Beam Angle | 15° |
| Light Distribution | Spot |
| LED Type | COB |
| LED Light Source | Osram SOLERIQ S 19 |
| Start Time | Instant |
| Driver | Stand Alone (included) |
| Operating Position | Swiveling Type |
| Dimming | On-Off / Triac / 0-10 V |
| Construction | Round |
| Mounting Type | Recessed |
| Heads | Single Head |
| Body Material | Aluminium Die cast |
| Finish | White |
| Height | 4-1/4" |
| Diameter | 3-3/8" |
| Cut Out | 3" |
| Optics | Darklight Technology Black, Silver |
| Application Area | Guest Room, Corridor, Restaurant, Meeting Room Club, Hall, Hotel Entrance |



Beam Spread (Options)

| Spot 15° | | Medium 24° | | Flood 38° | |
|----------|------|------------|------|-----------|-------|
| ft | Ø | ft | Ø | ft | Ø |
| 3.0 | 0.72 | 3.0 | 1.41 | 3.0 | 2.03 |
| 9.0 | 2.15 | 9.0 | 4.22 | 9.0 | 6.09 |
| 15.0 | 3.58 | 15.0 | 7.04 | 15.0 | 10.15 |

Glint, a circular shaped LED downlight made of aluminum die cast with high quality powder coated luminaire housing and optimum heat sink. Specular reflector & power grid / global connectors available with isolated LED Driver using Ultra bright OSRAM COB.