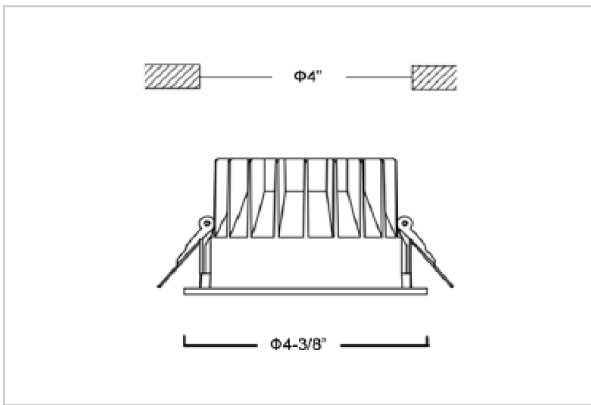


Glim Down Lights

ITEM SKU#: 662187494487



Product Code : IK-RGLIMDL-12W-27K-BL-90C-60D

Voltage	100 - 277 V AC, 50-60 Hz
Lumen Output	1080lm
Power	12W
Efficacy	90lm/w
CCT	2700K
CRI	>90
Beam Angle	60°
Light Distribution	Wide flood
LED Light Source	Osram SOLERIQ S 19
Start Time	Instant
Driver	Stand Alone (included)
Operating Position	Non - Swiveling Type
Dimming	On-Off / Triac / 0-10 V
Construction	Round
Mounting Type	Recessed
Heads	Single Head
Finish	Black
Height	2-1/2"
Diameter	4-3/8"
Cut Out	4"
Optics	Darklight Technology Black, Silver
IP Rating	-
Application Area	Outdoor Corridor, Bathroom, Eave.



Beam Spread (Option)

Wide Flood	60°
ft	Ø
3.0	3.15
9.0	9.45
15.0	15.75

Glim, a round shaped LED downlight made of aluminum die cast with high quality powder coated luminaire housing and optimum heat sink. Specular reflector & power grid /global connectors available with isolated LED Driver using Ultra bright OSRAM COB.