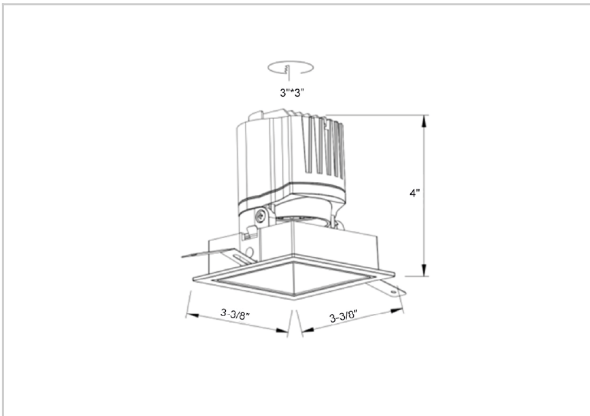


# Gleam Down Lights

ITEM SKU#: 662187493602



## Product Code : IK-RGLEAMD-L-8W-30K-BL-90C-38D

|                    |   |
|--------------------|---|
| Voltage            | 100 - 277 V AC, 50-60 Hz  |
| Lumen Output       | 683.5lm   |
| Power              | 8W  |
| Efficacy           | 140lm/w   |
| CCT                | 3000K   |
| CRI                | >90   |
| Beam Angle         | 38°   |
| Light Distribution | Flood   |
| LED Light Source   | Osram SOLERIQ S 19  |
| Start Time         | Instant   |
| Driver             | Stand Alone (included)  |
| Operating Position | Swiveling Type  |
| Dimming            | On-Off / Triac / 0-10 V   |
| Construction       | Sqaure  |
| Mounting Type      | Recessed  |
| Heads              | Single Head   |
| Body Material      | Aluminium Die cast  |
| Finish             | Black   |
| Length             | 3-3/8"  |
| Height             | 4"  |
| Diameter           | 2-7/8"  |
| Cut Out            | 3"x3"   |
| Optics             | Darklight Technology Black, Silver  |
| Width (W)          | 3-3/8"  |
| Application Area   | Guest Room, Corridor, Restaurant, Meeting Room Club, Hall, Hotel Entrance |



### Beam Spread (Options)

| Spot | 15°  | Medium | 24°  | Flood | 38°   | Wide Flood | 60°   |
|------|------|--------|------|-------|-------|------------|-------|
| ft   | Ø    | ft     | Ø    | ft    | Ø     | ft         | Ø     |
| 3.0  | 0.72 | 3.0    | 1.41 | 3.0   | 2.03  | 3.0        | 3.15  |
| 9.0  | 2.15 | 9.0    | 4.22 | 9.0   | 6.09  | 9.0        | 9.45  |
| 15.0 | 3.58 | 15.0   | 7.04 | 15.0  | 10.15 | 15.0       | 15.75 |

Gleam, a square shaped LED downlight is made of aluminum die cast with high quality powder coated luminaire housing and optimum heat sink that ensure high-durability. The specular darklight reflector in this store light allows outstanding visual comfort to the visitors so that they are able to explore the merchandise with ease.

## Technical Data

[IES File Link](#) ↓

[Installation Instructions Link](#) ↓