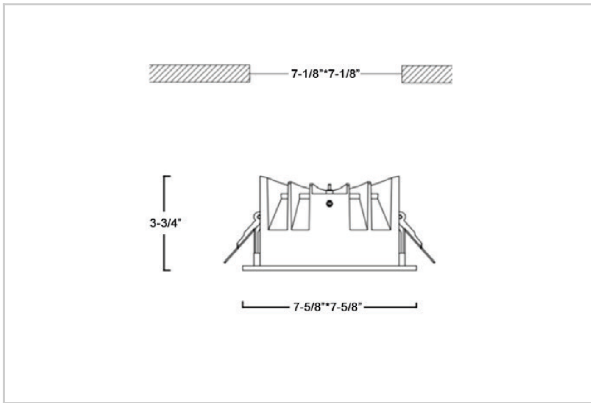


Asparo Down Lights

ITEM SKU#: 662187493077



Product Code : IK-RASPRODL-50W-50K-BL-90C-50D

Voltage	100 - 277 V AC, 50-60 Hz
Lumen Output	7000lm
Power	50W
Efficacy	140lm/w
CCT	5000K
CRI	>90
Beam Angle	50°
Light Distribution	Wide flood
LED Type	COB
LED Light Source	Osram SOLERIQ S 19
Start Time	Instant
Driver	Stand Alone (included)
Operating Position	Non - Swiveling Type
Dimming	On-Off / Triac / 0-10 V
Construction	Sqaure
Mounting Type	Recessed
Heads	Single Head
Body Material	Aluminium Die cast
Finish	Black
Height	3-3/4"
Diameter	7-5/8"x7-5/8"
Cut Out	7-1/8"x7-1/8"
Optics	Darklight Technology Black, Silver
Application Area	Guest Room, Corridor, Restaurant, Meeting Room Club, Hall, Hotel Entrance



Beam Spread (Option)

Wide Flood	50°
ft	Ø
3.0	3.15
9.0	9.45
15.0	15.75

Asparo, a square LED downlight made of aluminum die cast with high quality powder coated luminaire housing and optimum heat sink. Specular reflector & power grid /global connectors available with isolated LED Driver using Ultra bright OSRAM COB. Moreover, the specular darklight reflector in this store light allows outstanding visual comfort to the visitors.