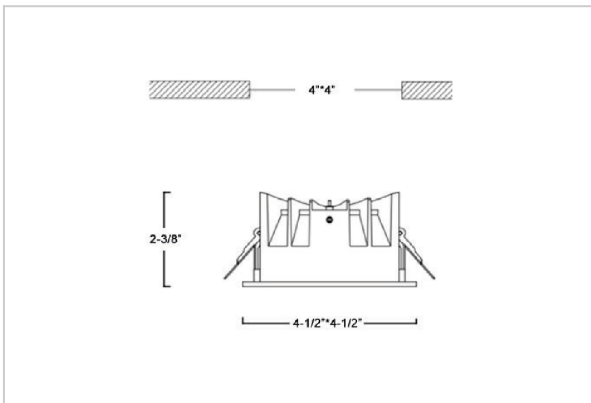


Asparo Down Lights

ITEM SKU#: 662187492889



Product Code : IK-RASPRODL-12W-27K-BL-90C-50D

| | |
|--------------------|---|
| Voltage | 100 - 277 V AC, 50-60 Hz |
| Lumen Output | 1440lm |
| Power | 12W |
| Efficacy | 140lm/w |
| CCT | 2700K |
| CRI | >90 |
| Beam Angle | 50° |
| Light Distribution | Wide flood |
| LED Type | COB |
| LED Light Source | Osram SOLERIQ S 19 |
| Start Time | Instant |
| Driver | Stand Alone (included) |
| Operating Position | Non - Swiveling Type |
| Dimming | On-Off / Triac / 0-10 V |
| Construction | Sqaure |
| Mounting Type | Recessed |
| Heads | Single Head |
| Body Material | Aluminium Die cast |
| Finish | Black |
| Diameter | 4-1/2"x4-1/2" |
| Cut Out | 4"x4" |
| Optics | Darklight Technology Black, Silver |
| Application Area | Guest Room, Corridor, Restaurant, Meeting Room Club, Hall, Hotel Entrance |



Beam Spread (Option)

| Wide Flood 50° | |
|----------------|-------|
| ft | Ø |
| 3.0 | 3.15 |
| 9.0 | 9.45 |
| 15.0 | 15.75 |

Asparo, a square LED downlight made of aluminum die cast with high quality powder coated luminaire housing and optimum heat sink. Specular reflector & power grid /global connectors available with isolated LED Driver using Ultra bright OSRAM COB. Moreover, the specular darklight reflector in this store light allows outstanding visual comfort to the visitors.